

1106172

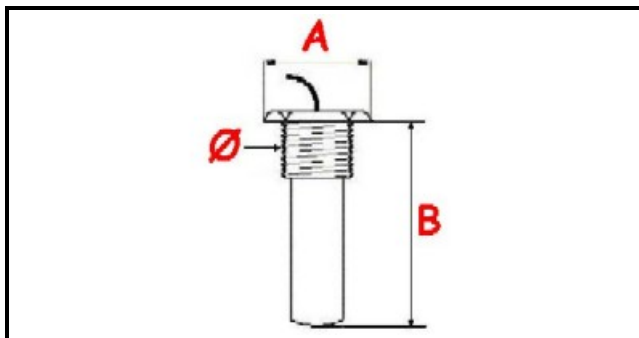
FRYER THERMOSTAT KIT 185° A.PO SINGLE PHASE - SENSOR Ø 21X90 mm CAPILLARY 900mm

Date: 22-11-2024



ORIGINAL
OSP
SPARE PARTS

Technical data



MONOPHASE	MONOFASE/MONOPHASE
GAS THREAD	Ø=21mm
NUMBER OF POLES	POLI THERMOSTATO/THERMOSTAT POLES=2
MINIMUM TEMPERATURE °	T min=105°
MAXIMUM TEMPERATURE °	T max=185°
WIRE mm	L=900mm
PROBE DIAMETER MM	A=25mm
PROBE LENGHT MM	B=84mm
SHAFT mm	ALBERO/SHAFT=4X6mm
NUMBER OF POLES	POLI INTERRUTTORE/SWITCH POLES=8

Manufacturer code

ANGELO PO GRANDI CUCINE SPA