

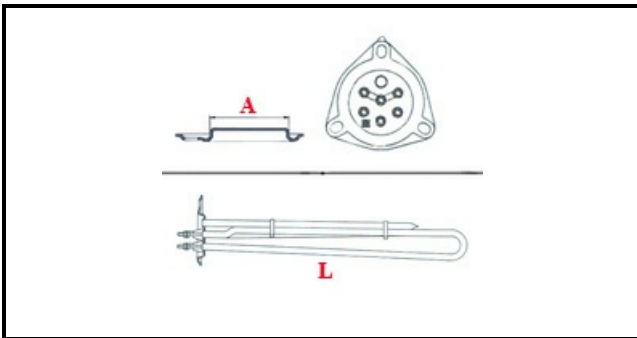
1101261

HEATING ELEMENT A.PO 6000W/400V

Date: 15-03-2025

ORIGINAL
OSP
SPARE PARTS

Technical data



| | |
|-------------------------------|---------------------------------------|
| DEPTH MM | L=485mm |
| ELEMENTS | ELEMENTI/ELEMENTS=3 |
| TRIANGULAR FLANGE | TRIANGOLARE/TRIANGULAR FLANGE=57mm |
| DIAMETER mm | A=57mm |
| KILOWATT KW | KW=6 |
| WATT | WATT=6000 |
| THREE PHASE | TRIFASE/THREEPHASE |
| NUMBER OF POLES | POLI/POLES=6 |
| NUMBER OF HOLES | FORI/HOLES=3 |
| GASKET | 2101033 |
| IMMERSION HEATING ELEMENTS | IMMERSIONE/IMMERSION |

Manufacturer code

ANGELO PO GRANDI CUCINE SPA