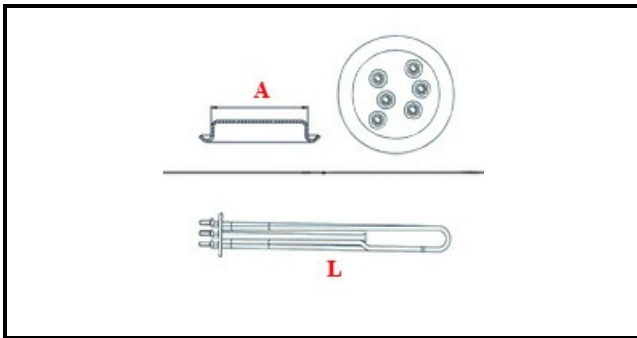


1101581

**HEATING ELEMENT 6000/6530W 230/240V 3**

Date: 15-03-2025

**Technical data**

DEPTH MM	L=460mm
ELEMENTS	ELEMENTI/ELEMENTS=3
ROUND FLANGE	TONDA/ROUND FLANGE=57mm
DIAMETER mm	A=57mm
KILOWATT KW	KW=6
WATT	WATT=6000
THREE PHASE	TRIFASE/THREEPHASE
NUMBER OF POLES	POLI/POLES=6
GASKET	2101033
IMMERSION HEATING ELEMENTS	IMMERISONE/IMMERSION

**Manufacturer code**

ANGELO PO GRANDI CUCINE SPA