

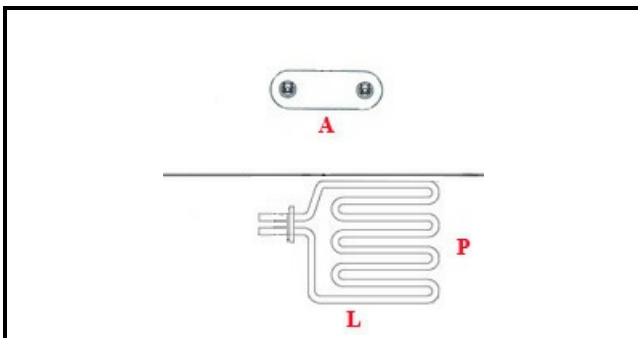
1201058

HEATING ELEMENT TANK 220-240V 2,4KW

Date: 24-11-2024

ORIGINAL
OSP
SPARE PARTS

Technical data



DEPTH MM	L=140mm
WIDTH MM	P=170mm
ELEMENTS	ELEMENTI/ELEMENTS=1
SQUARE FLANGE	RETTANGOLARE/RECTANGUL
DIAMETER mm	A=50X27mm
KILOWATT KW	KW=2,4
WATT	WATT=2400
MONOPHASE	MONOFASE/MONOPHASE
NUMBER OF POLES	POLI/POLES=2
IMMERSION HEATING ELEMENTS	IMMERSIONE/IMMERSION
EXPANSION FLANGE	A=50X27mm

Manufacturer code

ARISTARCO / KASTEL S.P.A.