

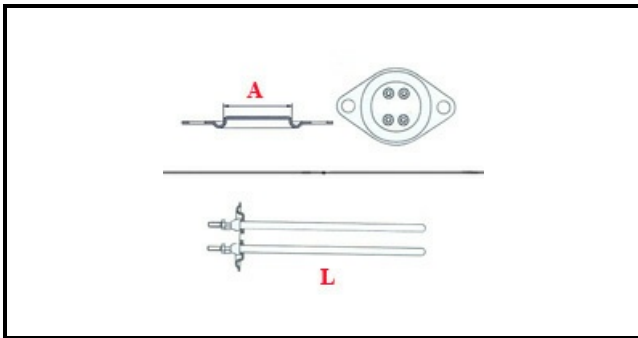
1101450

HEATING ELEMENT 2GR 380V 4000W

Date: 05-04-2025



Technical data



ELEMENTS	ELEMENTI/ELEMENTS=2
ROUND FLANGE	TONDA/ROUND FLANGE=42mm
DIAMETER mm	A=42mm
KILOWATT KW	KW=4
WATT	WATT=4000
THREE PHASE	TRIFASE/THREEPHASE
NUMBER OF POLES	POLI/POLES=4
NUMBER OF HOLES	FORI/HOLES=2
GASKET	2102130
IMMERSION HEATING ELEMENTS	IMMERSIONE/IMMERSION ELEMENTS

Manufacturer code

CMA MACCHINE PER CAFFE' SRL