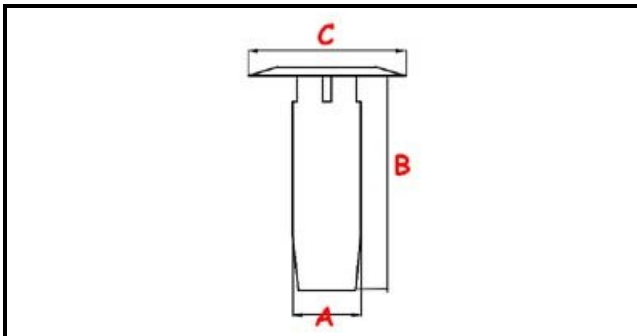


3111262

**OVERFLOW 180728 P5/P9**

Date: 23-11-2024

ORIGINAL  
**OSP**  
SPARE PARTS**Technical data**

HEIGHT MM	B=420mm
UPPER DIAMETER	A=42mm

**Manufacturer code**

COMENDA - ALI GROUP SRL A SOCIO UNICO