

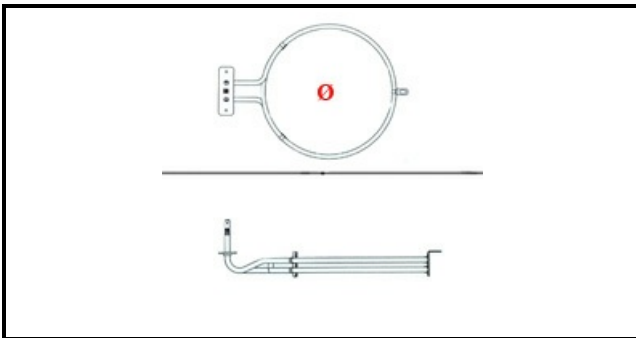
1101658

OVEN HEATING ELEMENT 3000W 230V

Date: 27-02-2025

ORIGINAL
OSP
SPARE PARTS

Technical data



DEPTH MM	L=245mm
ELEMENTS	ELEMENTI/ELEMENTS=1
SQUARE FLANGE	RETTANGOLARE/SQUARE FLANGE=70X22mm
EXTERNAL DIAMETER mm	Ø=190mm
KILOWATT KW	KW=3
WATT	WATT=3000
MONOPHASE	MONOFASE/MONOPHASE
NUMBER OF POLES	POLI/POLES=2
NUMBER OF HOLES	FORI/HOLES=2
DRY HEATING ELEMENT	SECCO/DRY
INTERNAL DIAMETER mm	Ø=179mm

Manufacturer code

ELECTROLUX PROFESSIONAL S.P.A.

E.G.O. ELEKTRO GERATE AG