

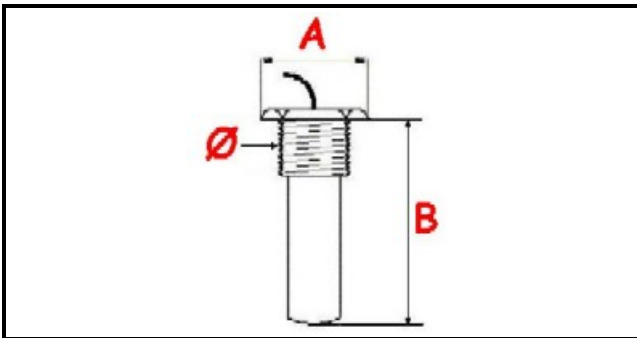
1106134

SINGLE-PHASE THERMOSTAT 30-90°C A.PO - SENSOR Ø 23,5X10 mm CAPILLARY 850mm

Date: 27-02-2025



Technical data



MONOPHASE	MONOFASE/MONOPHASE
NUMBER OF POLES	POLI THERMOSTATO/THERMOSTA POLES=2
MINIMUM TEMPERATURE °	T min=30°
MAXIMUM TEMPERATURE °	T max=90°
WIRE mm	L=850mm
PROBE DIAMETER MM	A=31/23mm
PROBE LENGHT MM	B=10mm
SHAFT mm	ALBERO/SHAFT=4X6mm
NUMBER OF POLES	POLI INTERRUTTORE/SWITCH POLES=4

Manufacturer code

ANGELO PO GRANDI CUCINE SPA
E.G.O. ELEKTRO GERATE AG
E.G.O. ELEKTRO GERATE AG