

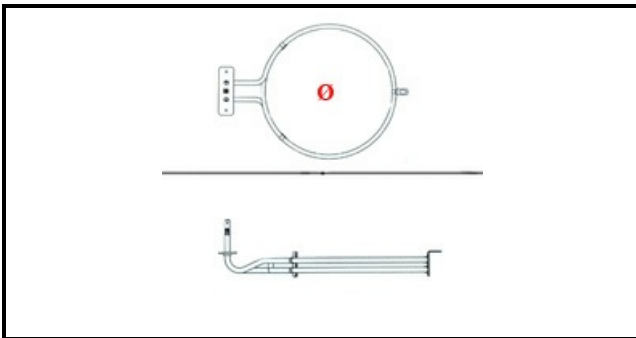
1101656

# HEATING ELEMENT 8KW 400V

Date: 23-11-2024

ORIGINAL  
**OSP**  
SPARE PARTS

## Technical data



|                     |                                       |
|---------------------|---------------------------------------|
| HEIGHT MM           | H=68mm                                |
| ELEMENTS            | ELEMENTI/ELEMENTS=2                   |
| SQUARE FLANGE       | RETTANGOLARE/SQUARE<br>FLANGE=80X45mm |
| DIAMETER mm         | Ø 580mm                               |
| KILOWATT KW         | KW=8                                  |
| WATT                | WATT=8000                             |
| THREE PHASE         | TRIFASE/THREEPHASE                    |
| NUMBER OF POLES     | POLI/POLES=4                          |
| NUMBER OF HOLES     | FORI/HOLES=2                          |
| DRY HEATING ELEMENT | SECCO/DRY                             |

## Manufacturer code

ELECTROLUX PROFESSIONAL S.P.A.