

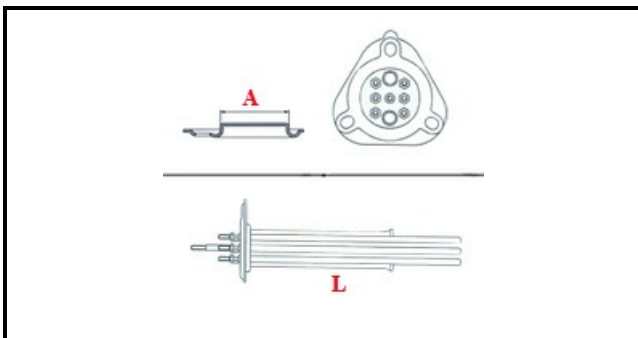
1101352

HEATING ELEMENT 6000W 220V 6545W 240V

Date: 24-11-2024



Technical data



DEPTH MM	L=370mm
ELEMENTS	ELEMENTI/ELEMENTS=3
TRIANGULAR FLANGE	TRIANGOLARE/TRIANGULAR FLANGE=47mm
DIAMETER mm	A=47mm
KILOWATT KW	KW=6
WATT	WATT=6000
THREE PHASE	TRIFASE/THREEPHASE
NUMBER OF POLES	POLI/POLES=6
NUMBER OF HOLES	FORI/HOLES=3
GASKET	2101032
IMMERSION HEATING ELEMENTS	IMMERSIONE/IMMERSION

Manufacturer code

SMEG SPA
MODULAR PROFESSIONAL SRL
ELECTROLUX PROFESSIONAL S.P.A.
ELETTROBAR EUROTEC SRL