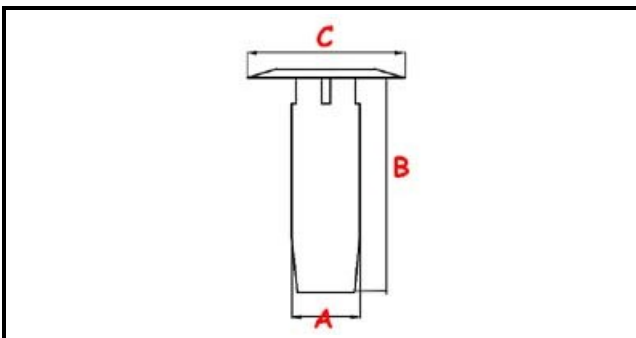


3111211

**CAP OVERFLOW**

Date: 24-11-2024

ORIGINAL  
**OSP**  
SPARE PARTS**Technical data**

HEIGHT MM	B=435mm
MATERIAL	PLASTICA/PLASTIC
LOWER DIAMETER	A=40mm

**Manufacturer code**

ELECTROLUX PROFESSIONAL S.P.A.