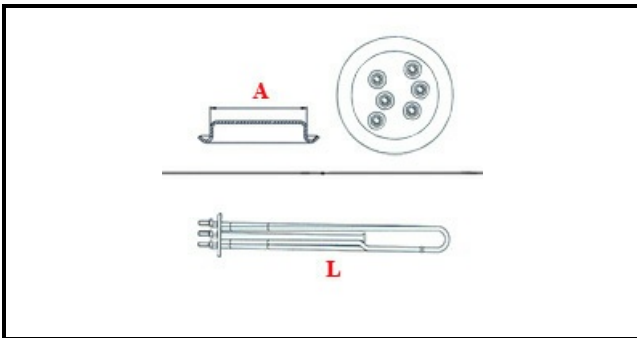


1101533

BOILER HEATING ELEMENT 3KW 230V

Date: 05-12-2024

ORIGINAL
OSP
SPARE PARTS**Technical data**

DEPTH MM	L=207mm
ELEMENTS	ELEMENTI/ELEMENTS=3
ROUND FLANGE	TONDA/ROUND FLANGE=57mm
DIAMETER mm	A=57mm
KILOWATT KW	KW=3
WATT	WATT=3000
THREE PHASE	TRIFASE/THREEPHASE
NUMBER OF POLES	POLI/POLES=6
GASKET	2101033
IMMERSION HEATING ELEMENTS	IMMERSIONE/IMMERSION

Manufacturer code

ELETTOBAR EUROTEC SRL