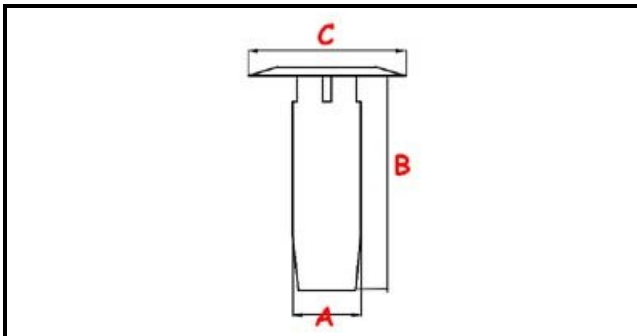


3111102

OVERFLOW PIPE 35/40

Date: 05-12-2024

ORIGINAL
OSP
SPARE PARTS**Technical data**

HEIGHT MM	B=170mm
MATERIAL	PLASTICA/PLASTIC
UPPER DIAMETER	C=40mm
LOWER DIAMETER	A=21mm

Manufacturer code

ELETTOBAR EUROTEC SRL