

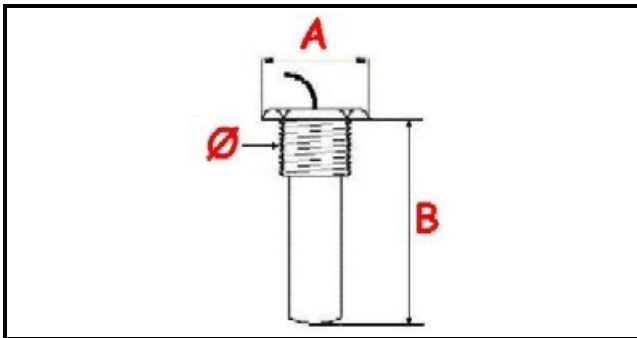
1106352

TANK THERMOSTAT 50° SINGLE PHASE KIT DRT141

Date: 05-12-2024

ORIGINAL
OSP
SPARE PARTS

Technical data



MONOPHASE	MONOFASE/MONOPHASE
GAS THREAD	Ø=14mm
NUMBER OF POLES	POLI/POLES=3
MINIMUM TEMPERATURE °	T min=0°
MAXIMUM TEMPERATURE °	T max=50°
WIRE mm	L=600mm
PROBE DIAMETER MM	A=22mm
PROBE LENGHT MM	B=32mm

Manufacturer code

ELETTOBAR EUROTEC SRL

ELETTOBAR EUROTEC SRL