

1201018

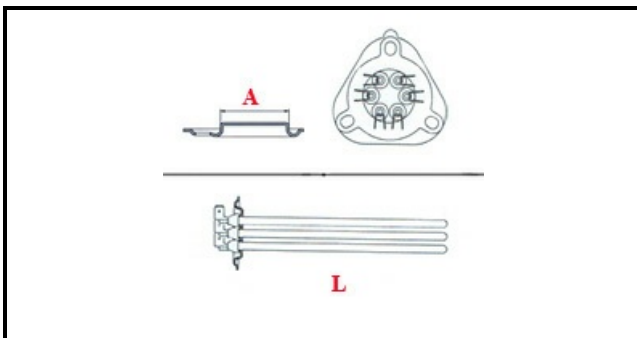
HEATING ELEMENT 8000W

Date: 08-04-2025



ORIGINAL
OSP
SPARE PARTS

Technical data



DEPTH MM	L=360mm
ELEMENTS	ELEMENTI/ELEMENTS=3
TRIANGULAR FLANGE	TRIANGOLARE/TRIANGULAR FLANGE=47mm
KILOWATT KW	KW=8
WATT	W=8000
THREE PHASE	TRIFASE/THREEPHASE
NUMBER OF POLES	POLI/POLES=6
NUMBER OF HOLES	FORI/HOLES=4
GASKET	2101032
IMMERSION HEATING ELEMENTS	IMMERSIONE/IMMERSION ELEMENTS
EXTERNAL DIAMETER mm	Øe flangia=100mm
INTERNAL DIAMETER mm	Øi flangia=48,5mm

Manufacturer code

FABAR SRL