

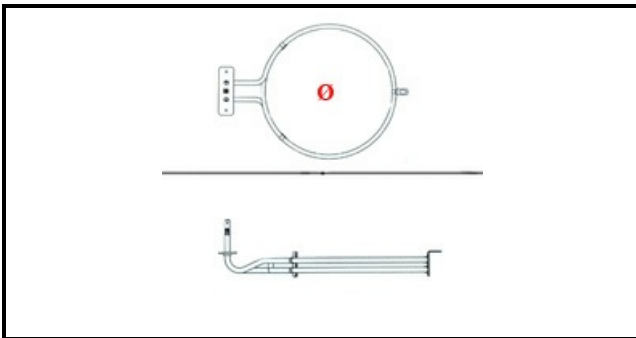
1201153

# HEATING ELEMENT 3000W

Date: 22-11-2024

ORIGINAL  
**OSP**  
SPARE PARTS

## Technical data



ELEMENTS	ELEMENTI/ELEMENTS=1
KILOWATT KW	KW=3
WATT	WATT=3000
MONOPHASE	MONOFASE/MONOPHASE
NUMBER OF POLES	POLI/POLES=2
DRY HEATING ELEMENT	SECCO/DRY

## Manufacturer code

FIMAR s.p.a.