

1201012

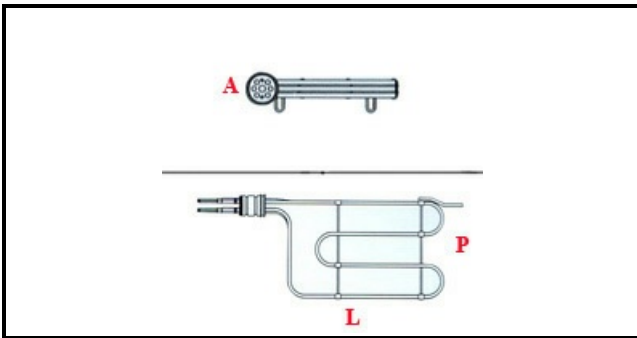
HEATING ELEMENT W16500 V 230/400

Date: 07-04-2025



ORIGINAL
OSP
SPARE PARTS

Technical data



DEPTH MM	L=325mm
WIDTH MM	P=257mm
ELEMENTS	ELEMENTI/ELEMENTS=3
ROUND FLANGE	TONDA/ROUND FLANGE=54mm
DIAMETER mm	A=54mm
KILOWATT KW	KW=16,5
WATT	W=16500
THREE PHASE	TRIFASE/THREEPHASE
NUMBER OF POLES	POLI/POLES=6
IMMERSION HEATING ELEMENTS	IMMERSIONE/IMMERSION ELEMENTS

Manufacturer code

GIORIK SPA