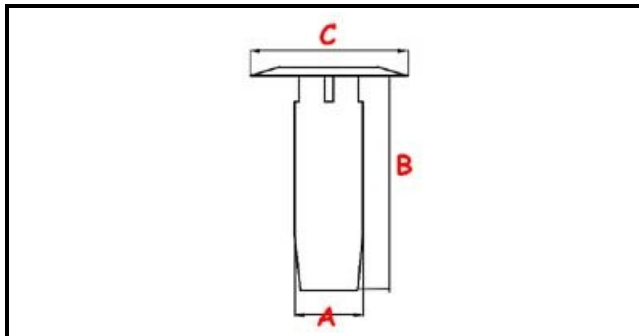


3111247

OVERFLOW

Date: 22-11-2024

ORIGINAL
OSP
SPARE PARTS**Technical data**

HEIGHT MM	B=127mm
GASKET	2101465
MATERIAL	PLASTICA/PLASTIC
UPPER DIAMETER	C=69mm
LOWER DIAMETER	A=26mm

Manufacturer code

HOONVED - ALI GROUP SRL A SOCIO UNICO

HOONVED - ALI GROUP SRL A SOCIO UNICO