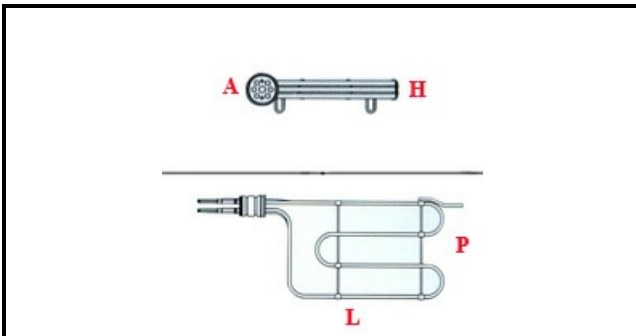


1201033

**ROTATING HEATING ELEMENT CP76 13500W 3-230V (E)**

Date: 22-11-2024

ORIGINAL  
**OSP**  
SPARE PARTS**Technical data**

DEPTH MM	L=375mm
WIDTH MM	P=220mm
HEIGHT MM	H=85mm
ELEMENTS	ELEMENTI/ELEMENTS=3
ROUND FLANGE	TONDA/ROUND FLANGE=65mm
DIAMETER mm	A=65mm
KILOWATT KW	KW=13,5
WATT	WATT=13500
THREE PHASE	TRIFASE/THREEPHASE
NUMBER OF POLES	POLI/POLES=6
IMMERSION HEATING ELEMENTS	IMMERSIONE/IMMERSION ELEMENTS

**Manufacturer code**

LOTUS SPA

LOTUS SPA