

1105463

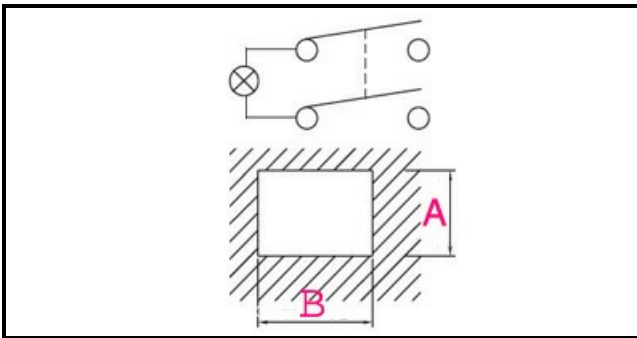
# SWTICH M2

Date: 06-04-2025



ORIGINAL  
**OSP**  
SPARE PARTS

## Technical data



DEPTH MM	B=20mm
WIDTH MM	A=13mm
NUMBER OF POLES	POLI/POLES=4
NUMBER OF POSITIONS	0-1
COLOR	BLU/BLEUE
VOLT	250V

## Manufacturer code

MACAP SRL