

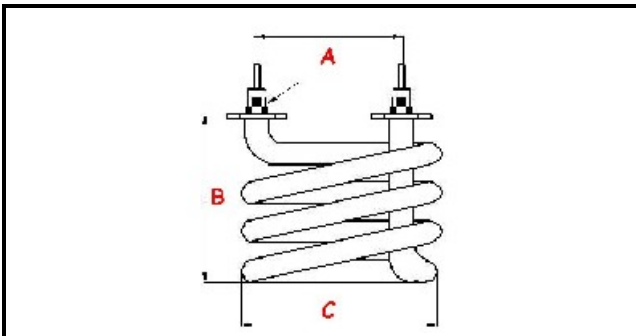
1101241

## HEATING ELEMENT FAMILY 1150W 230V

Date: 23-11-2024



### Technical data



WIDTH MM	C=52mm
HEIGHT MM	B=62mm
ELEMENTS	ELEMENTI/ELEMENTS=1
INTERAX mm	A=40mm
DIAMETER mm	Ø =10mm
KILOWATT KW	KW=1
WATT	WATT=1000
MONOPHASE	MONOFASE/MONOPHASE
NUMBER OF POLES	POLI/POLES=2
GASKET	2101378
IMMERSION HEATING ELEMENTS	IMMERSIONE/IMMERSION

### Manufacturer code

RANCILIO GROUP SPA CON SOCIO UNICO