

1105449

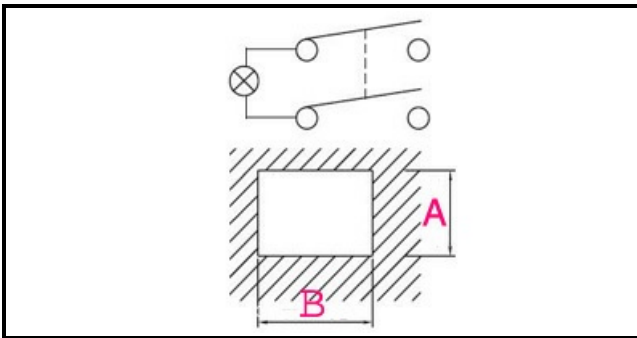
SWITCH WITH LED (hot water)

Date: 07-04-2025



ORIGINAL
OSP
SPARE PARTS

Technical data



DEPTH MM	B=28mm
WIDTH MM	A=22mm
NUMBER OF POLES	POLI/POLES=4
NUMBER OF POSITIONS	0-1
COLOR	NERO CON LED/BLACK WITH LED
VOLT	230V

Manufacturer code

RANCILIO GROUP SPA CON SOCIO UNICO