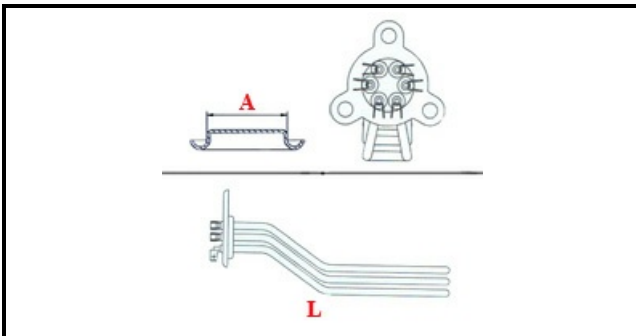


1101078

BOILER HEATING ELEMENT 4500W 230V+OR

Date: 04-03-2025

ORIGINAL
OSP
SPARE PARTS**Technical data**

DEPTH MM	L=365mm
ELEMENTS	ELEMENTI/ELEMENTS=3
TRIANGULAR FLANGE	TRIANGOLARE/TRIANGULAR FLANGE=37mm
DIAMETER mm	A=37mm
KILOWATT KW	KW=4,5
WATT	WATT=4500
THREE PHASE	TRIFASE/THREEPHASE
NUMBER OF POLES	POLI/POLES=6
NUMBER OF HOLES	FORI/HOLES=3
GASKET	2101031
IMMERSION HEATING ELEMENTS	IMMERSIONE/IMMERSION

Manufacturer code

SILANOS SRL