

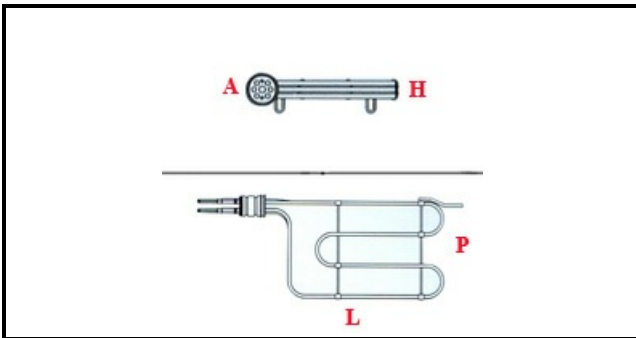
1101487

HEATING ELEMENT PASTA COOKER 5,67KW 380V SERIES 70

Date: 23-11-2024

ORIGINAL
OSP
SPARE PARTS

Technical data



DEPTH MM	L=290mm
WIDTH MM	P=220mm
HEIGHT MM	H=25mm
ELEMENTS	ELEMENTI/ELEMENTS=3
ROUND FLANGE	TONDA/ROUND FLANGE=40mm
DIAMETER mm	A=40mm
KILOWATT KW	KW=5,67
WATT	WATT=5670
THREE PHASE	TRIFASE/THREEPHASE
NUMBER OF POLES	POLI/POLES=6
IMMERSION HEATING ELEMENTS	IMMERSIONE/IMMERSION ELEMENTS

Manufacturer code

SILKO ALI GROUP SRL A SOCIO UNICO

MARENO ALI GROUP SRL A SOCIO UNICO