

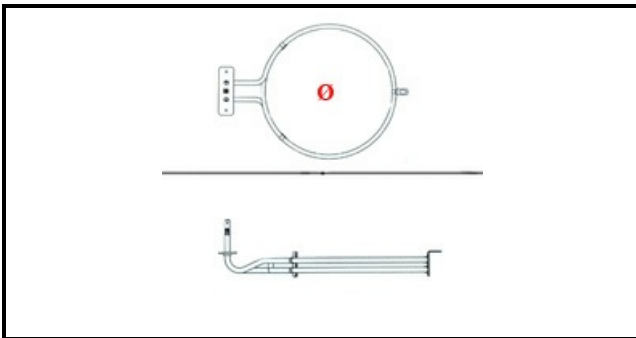
1201082

## HEATING ELEMENT 2500W 230V ALS4

Date: 22-11-2024

ORIGINAL  
**OSP**  
SPARE PARTS

### Technical data



DEPTH MM	L=250mm
HEIGHT MM	H=70mm
ELEMENTS	ELEMENTI/ELEMENTS=1
SQUARE FLANGE	RETTANGOLARE/SQAURE FLANGE=70X22mm
KILOWATT KW	KW=2,5
WATT	WATT=2500
MONOPHASE	MONOFASE/MONOPHASE
NUMBER OF POLES	POLI/POLES=2
NUMBER OF HOLES	FORI/HOLES=2
DRY HEATING ELEMENT	SECCO/DRY
EXTERNAL DIAMETER mm	Ø=190mm
INTERNAL DIAMETER mm	Ø=180mm

### Manufacturer code

SIRMAN SPA