

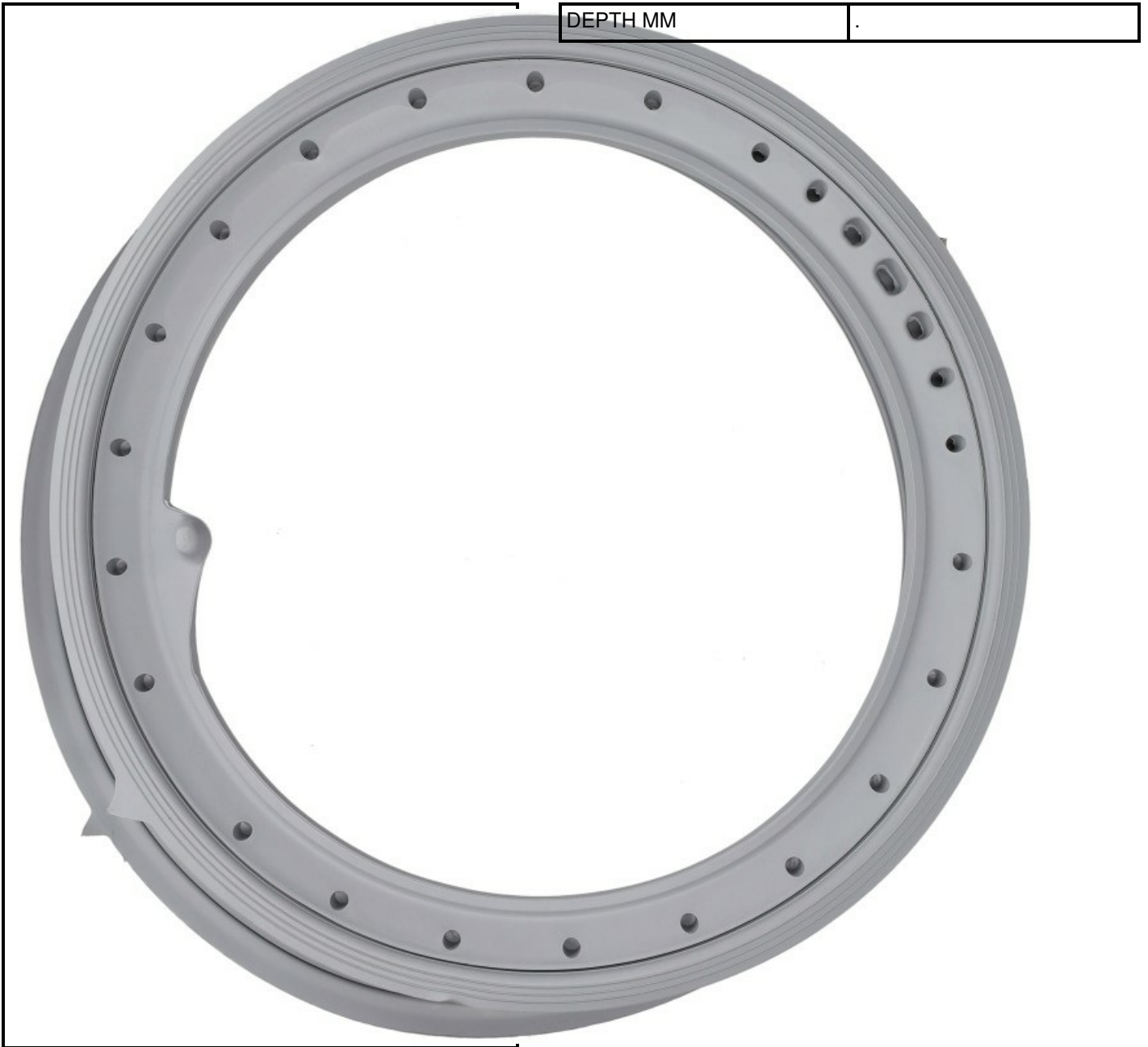
9501016

## 1321187013 BELLOWS SEAL, PORTHOLE, P

Date: 12-11-2024



**Technical data**



**Manufacturer code**

ELECTROLUX - REX APPLIANCES SPA
---------------------------------