

1101081

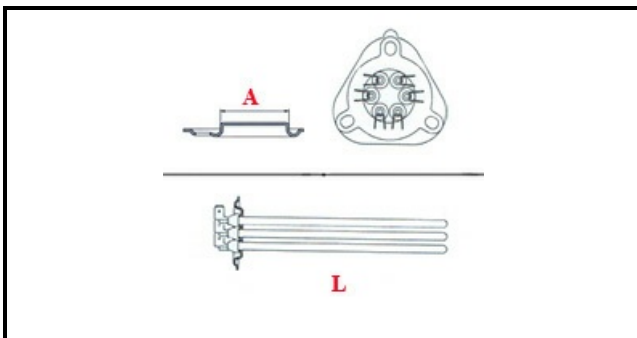
HEATING ELEMENT ZANUSSI 058995

Date: 04-04-2025



ORIGINAL
OSP
SPARE PARTS

Technical data



DEPTH MM	L=575mm
ELEMENTS	ELEMENTI/ELEMENTS=3
TRIANGULAR FLANGE	TRIANGOLARE/TRIANGULAR FLANGE=48mm
DIAMETER mm	A=48mm
KILOWATT KW	KW=17
WATT	WATT=17000
THREE PHASE	TRIFASE/THREEPHASE
NUMBER OF POLES	POLI/POLES=6
NUMBER OF HOLES	FORI/HOLES=3
GASKET	2101032
IMMERSION HEATING ELEMENTS	IMMERSIONE/IMMERSION ELEMENTS

Manufacturer code

ELECTROLUX PROFESSIONAL S.P.A.