

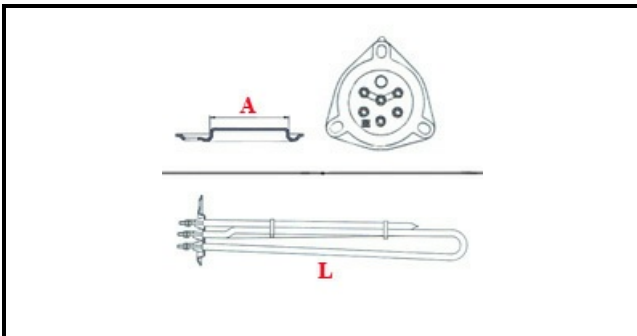
1101159

## HEATING ELEMENT 3000W 230/380 D. 58X350L

Date: 22-12-2024



### Technical data



|                            |                        |
|----------------------------|------------------------|
| DEPTH MM                   | L=350mm                |
| ELEMENTS                   | ELEMENTI/ELEMENTS=3    |
| TRIANGULAR FLANGE          | TRIANGOLARE/TRIANGULAR |
| DIAMETER mm                | A=57mm                 |
| KILOWATT KW                | KW=3                   |
| WATT                       | WATT=3000              |
| THREE PHASE                | TRIFASE/THREEPHASE     |
| NUMBER OF POLES            | POLI/POLES=6           |
| GASKET                     | 2101033                |
| IMMERSION HEATING ELEMENTS | IMMERSIONE/IMMERSION   |

### Manufacturer code

COMENDA - ALI GROUP SRL A SOCIO UNICO