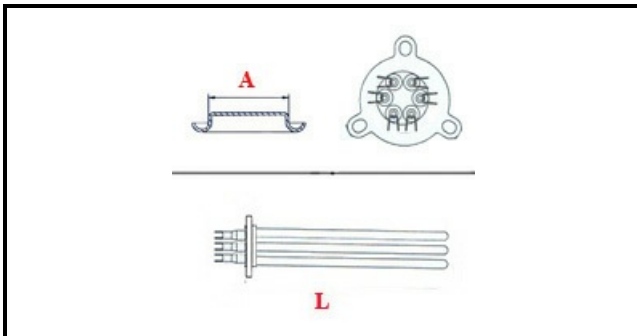


1101170

**HEATING ELEMENT 4000W 230V 2GR PAVONI**

Date: 23-02-2025

ORIGINAL  
**OSP**  
SPARE PARTS**Technical data**

DEPTH MM	L=300mm
ELEMENTS	ELEMENTI/ELEMENTS=3
TRIANGULAR FLANGE	TRIANGOLARE/TRIANGULAR FLANGE=39mm
DIAMETER mm	A=39mm
KILOWATT KW	KW=4
WATT	WATT=4000
THREE PHASE	TRIFASE/THREEPHASE
NUMBER OF POLES	POLI/POLES=6
NUMBER OF HOLES	FORI/HOLES=3
IMMERSION HEATING ELEMENTS	IMMERSIONE/IMMERSION

**Manufacturer code**

LA PAVONI SPA

LA PAVONI SPA