

1101230

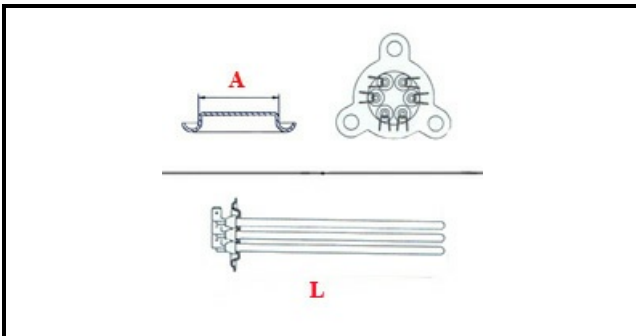
HEATING ELEMENT 220V 4500W

Date: 27-02-2025



ORIGINAL
OSP
SPARE PARTS

Technical data



DEPTH MM	L=270mm
ELEMENTS	ELEMENTI/ELEMENTS=3
TRIANGULAR FLANGE	TRIANGOLARE/TRIANGULAR FLANGE=62mm
DIAMETER mm	A=62mm
KILOWATT KW	KW=4,5
WATT	WATT=4500
THREE PHASE	TRIFASE/THREEPHASE
NUMBER OF POLES	POLI/POLES=6
NUMBER OF HOLES	FORI/HOLES=3
GASKET	2101058
IMMERSION HEATING ELEMENTS	IMMERSIONE/IMMERSION

Manufacturer code

ARISTARCO / KASTEL S.P.A.

ARISTARCO / KASTEL S.P.A.