

1101261

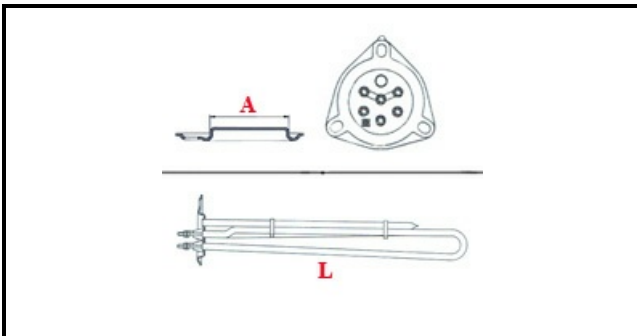
# HEATING ELEMENT A.PO 6000W/400V

Date: 08-04-2025



ORIGINAL  
**OSP**  
SPARE PARTS

## Technical data



|                               |                                       |
|-------------------------------|---------------------------------------|
| DEPTH MM                      | L=485mm                               |
| ELEMENTS                      | ELEMENTI/ELEMENTS=3                   |
| TRIANGULAR FLANGE             | TRIANGOLARE/TRIANGULAR<br>FLANGE=57mm |
| DIAMETER mm                   | A=57mm                                |
| KILOWATT KW                   | KW=6                                  |
| WATT                          | WATT=6000                             |
| THREE PHASE                   | TRIFASE/THREEPHASE                    |
| NUMBER OF POLES               | POLI/POLES=6                          |
| NUMBER OF HOLES               | FORI/HOLES=3                          |
| GASKET                        | 2101033                               |
| IMMERSION HEATING<br>ELEMENTS | IMMERSIONE/IMMERSION<br>ELEMENTS      |

## Manufacturer code

ANGELO PO GRANDI CUCINE SPA