

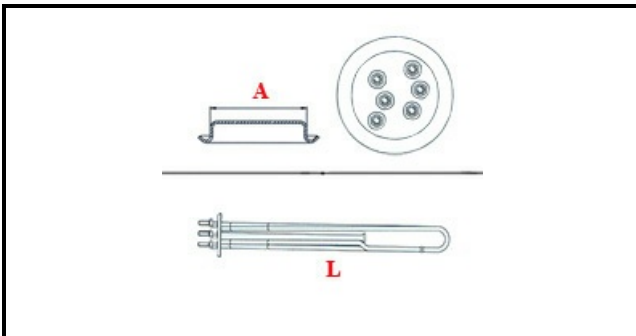
1101281

HEATING ELEMENT 7500W

Date: 22-11-2024

ORIGINAL
OSP
SPARE PARTS

Technical data



DEPTH MM	L=370mm
ELEMENTS	ELEMENTI/ELEMENTS=3
ROUND FLANGE	TONDA/ROUND FLANGE=57mm
DIAMETER mm	A=57mm
KILOWATT KW	KW=7,5
WATT	WATT=7500
THREE PHASE	TRIFASE/THREEPHASE
NUMBER OF POLES	POLI/POLES=6
GASKET	2101033
IMMERSION HEATING ELEMENTS	IMMERISONE/IMMERSION

Manufacturer code

LAINOX ALI GROUP SRL A SOCIO UNICO
SILKO ALI GROUP SRL A SOCIO UNICO
LAINOX ALI GROUP SRL A SOCIO UNICO