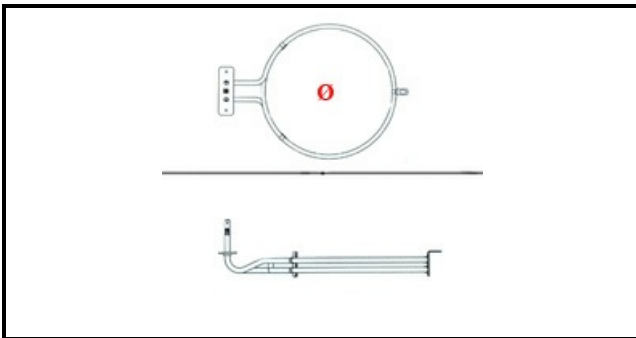


1101389

HEATING ELEMENT OVEN. EF0V7 2.6 KW2301GIK3L698002

Date: 23-12-2024

ORIGINAL
OSP
SPARE PARTS**Technical data**

DEPTH MM	L=212mm
ELEMENTS	ELEMENTI/ELEMENTS=1
SQUARE FLANGE	RETTANGOLARE/ SQUARE FLANGE=70X22mm
EXTERNAL DIAMETER mm	Ø=194mm
KILOWATT KW	KW=2,6
WATT	WATT=2600
MONOPHASE	MONOFASE/MONOPHASE
NUMBER OF POLES	POLI/POLES=2
NUMBER OF HOLES	FORI/HOLES=2
DRY HEATING ELEMENT	SECCO/DRY
INTERNAL DIAMETER mm	Ø=177mm

Manufacturer code

MBM- EUROTEC SRL -