

1101481

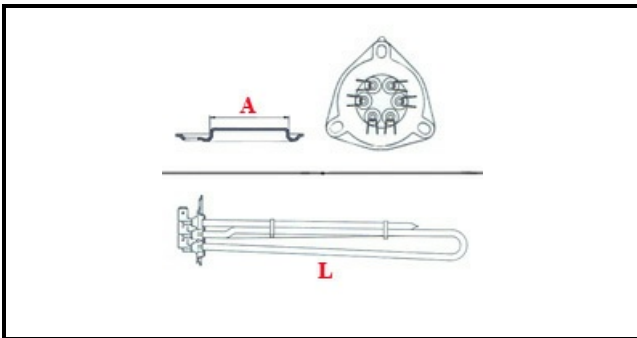
HEATING ELEMENT 10500W 230V

Date: 22-12-2024



ORIGINAL
OSP
SPARE PARTS

Technical data



DEPTH MM	L=350mm
ELEMENTS	ELEMENTI/ELEMENTS=3
TRIANGULAR FLANGE	TRIANGOLARE/TRIANGULAR FLANGE=57mm
DIAMETER mm	A=57mm
KILOWATT KW	KW=10,5
WATT	WATT=10500
THREE PHASE	TRIFASE/THREEPHASE
NUMBER OF POLES	POLI/POLES=6
NUMBER OF HOLES	FORI/HOLES=3
GASKET	2101033
IMMERSION HEATING ELEMENTS	IMMERSION/IMMERSION

Manufacturer code

ELECTROLUX PROFESSIONAL S.P.A.
ELECTROLUX PROFESSIONAL S.P.A.
ELECTROLUX PROFESSIONAL S.P.A.