

1101484

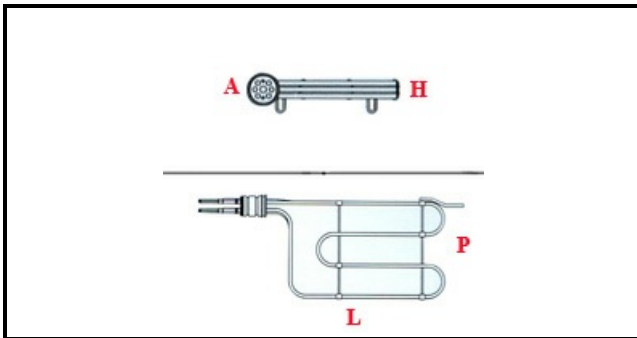
PASTA COOKER HEATING ELEMENT 9000W

Date: 23-02-2025



ORIGINAL
OSP
SPARE PARTS

Technical data



DEPTH MM	L=320mm
WIDTH MM	P=200mm
HEIGHT MM	H=22mm
ELEMENTS	ELEMENTI/ELEMENTS=3
ROUND FLANGE	TONDA/ROUND FLANGE=44mm
DIAMETER mm	A=44mm
KILOWATT KW	KW=9
WATT	WATT=9000
THREE PHASE	TRIFASE/THREEPHASE
NUMBER OF POLES	POLI/POLES=6
IMMERSION HEATING ELEMENTS	IMMERSIONE/IMMERSION ELEMENTS

Manufacturer code

SILKO ALI GROUP SRL A SOCIO UNICO
OLIS ALI GROUP SRL A SOCIO UNICO
SILKO ALI GROUP SRL A SOCIO UNICO
MARENO ALI GROUP SRL A SOCIO UNICO