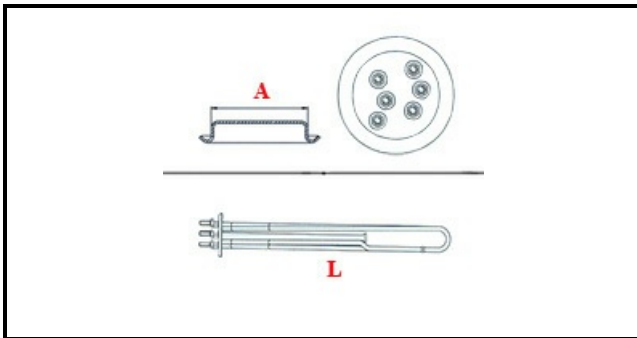


1101514

**HEATING ELEMENT 14000/15240W 230/240V 3**

Date: 15-11-2024

ORIGINAL  
**OSP**  
SPARE PARTS**Technical data**

DEPTH MM	L=470mm
ELEMENTS	ELEMENTI/ELEMENTS=3
ROUND FLANGE	TONDA/ROUND FLANGE=57mm
DIAMETER mm	A=57mm
KILOWATT KW	KW=14
WATT	WATT=14000
THREE PHASE	TRIFASE/THREEPHASE
NUMBER OF POLES	POLI/POLES=6
GASKET	2101033
IMMERSION HEATING ELEMENTS	IMMERSIONE/IMMERSION ELEMENTS

**Manufacturer code**

LAINOX ALI GROUP SRL A SOCIO UNICO