

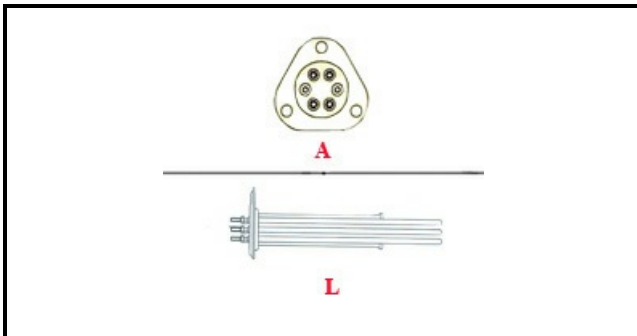
1101526

HEATING ELEMENT TECNA 3000W L240

Date: 22-11-2024



Technical data



DEPTH MM	L=225mm
ELEMENTS	ELEMENTI/ELEMENTS=3
TRIANGULAR FLANGE	TRIANGOLARE/TRIANGULAR FLANGE=44mm
DIAMETER mm	A=44mm
KILOWATT KW	KW=3
WATT	WATT=3000
THREE PHASE	TRIFASE/THREEPHASE
NUMBER OF POLES	POLI/POLES=6
NUMBER OF HOLES	FORI/HOLES=3
GASKET	2102014
IMMERSION HEATING ELEMENTS	IMMERSIONE/IMMERSION