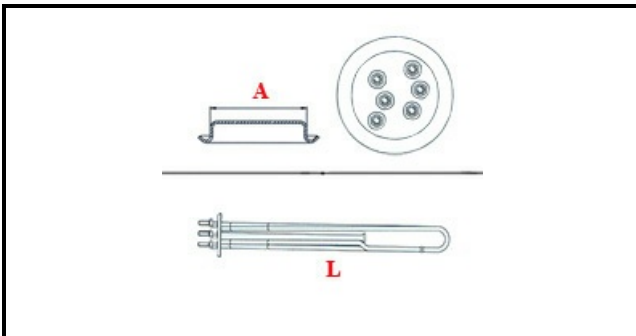


1101531

HEATING ELEMENT 9000/9800W 230/240V

Date: 15-11-2024

ORIGINAL
OSP
SPARE PARTS**Technical data**

DEPTH MM	L=460mm
ELEMENTS	ELEMENTI/ELEMENTS=3
ROUND FLANGE	TONDA/ROUND FLANGE=57mm
DIAMETER mm	A=57mm
KILOWATT KW	KW=9
WATT	WATT=9000
THREE PHASE	TRIFASE/THREEPHASE
NUMBER OF POLES	POLI/POLES=6
GASKET	2101033
IMMERSION HEATING ELEMENTS	IMMERSIONE/IMMERSION

Manufacturer code

DIHR - ALI GROUP SRL A SOCIO UNICO