

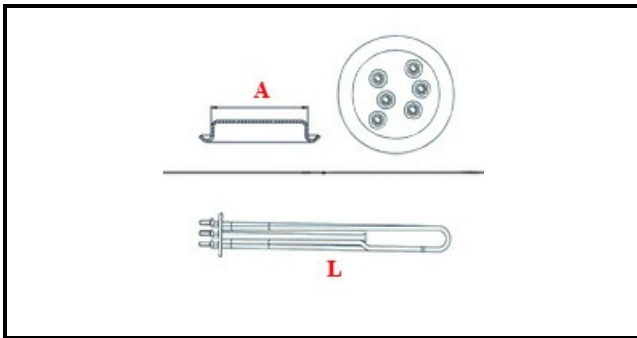
1101581

HEATING ELEMENT 6000/6530W 230/240V 3

Date: 22-12-2024



Technical data



DEPTH MM	L=460mm
ELEMENTS	ELEMENTI/ELEMENTS=3
ROUND FLANGE	TONDA/ROUND FLANGE=57mm
DIAMETER mm	A=57mm
KILOWATT KW	KW=6
WATT	WATT=6000
THREE PHASE	TRIFASE/THREEPHASE
NUMBER OF POLES	POLI/POLES=6
GASKET	2101033
IMMERSION HEATING ELEMENTS	IMMERISONE/IMMERSION

Manufacturer code

ANGELO PO GRANDI CUCINE SPA