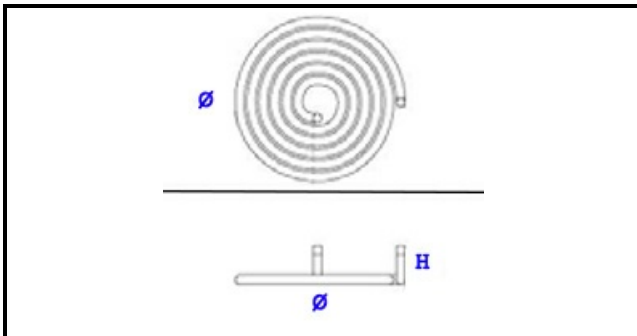


1101777

**HEATING ELEMENT 3600W 400V X P.D.400**

Date: 23-02-2025

ORIGINAL  
**OSP**  
SPARE PARTS**Technical data**

ELEMENTS	ELEMENTI/ELEMENTS=1
DIAMETER mm	Ø=400mm
KILOWATT KW	KW=3,6
WATT	WATT=3600
THREE PHASE	TRIFASE/THREEPHASE
NUMBER OF POLES	POLI/POLES=2
DRY HEATING ELEMENT	SECCO/DRY

**Manufacturer code**

OEM - ALI GROUP SRL A SOCIO UNICO