

1101848

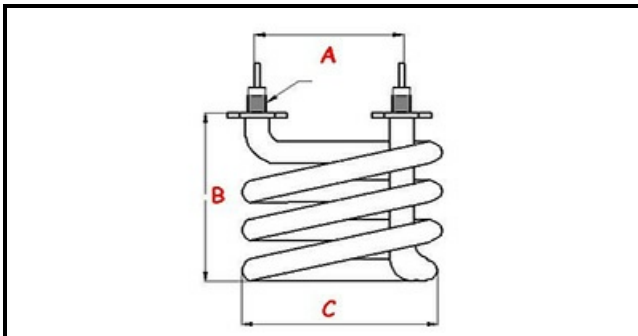
HEATING ELEMENT 5LT 2700W-230V

Date: 09-04-2025



ORIGINAL
OSP
SPARE PARTS

Technical data



| | |
|----------------------------|----------------------|
| HEIGHT MM | B=200mm |
| ELEMENTS | ELEMENTI/ELEMENTS=1 |
| INTERAX mm | A=50mm |
| DIAMETER mm | Ø=16mm |
| KILOWATT KW | KW=2,7 |
| WATT | WATT=2700 |
| MONOPHASE | MONOFASE/MONOPHASE |
| NUMBER OF POLES | POLI/POLES=2 |
| GASKET | 2102606 |
| IMMERSION HEATING ELEMENTS | IMMERSIONE/IMMERSION |
| EXTERNAL DIAMETER mm | C=111mm |

Manufacturer code

LA SPAZIALE SPA