

1101971

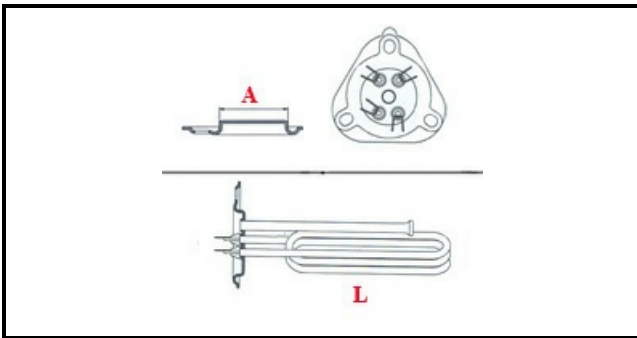
# HEATING ELEMENT 2800W

Date: 04-04-2025



ORIGINAL  
**OSP**  
SPARE PARTS

## Technical data



DEPTH MM	L=310mm
ELEMENTS	ELEMENTI/ELEMENTS=2
TRIANGULAR FLANGE	TRIANGOLARE/TRIANGULAR FLANGE=47mm
DIAMETER mm	A=47mm
KILOWATT KW	KW=2,8
WATT	WATT=2800
MONOPHASE	MONOFASE/MONOPHASE
NUMBER OF POLES	POLI/POLES=4
FASTON MM	6,3
NUMBER OF HOLES	FORI/HOLES=3
GASKET	2101032
IMMERSION HEATING ELEMENTS	IMMERISIONE/IMMERSION