

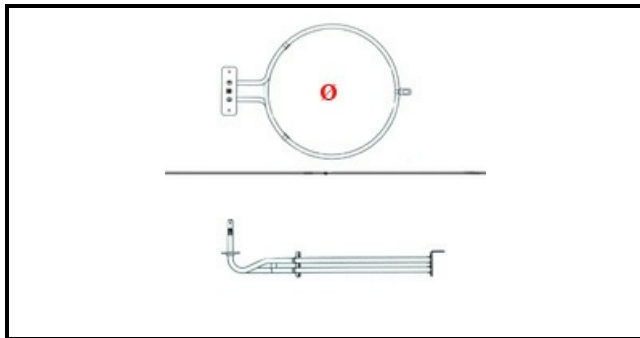
1201001

## HEATING ELEMENT 4500W 230V Ø 240mm

Date: 22-11-2024



### Technical data



DEPTH MM	L=280mm
HEIGHT MM	H=50mm
ELEMENTS	ELEMENTI/ELEMENTS=3
SQUARE FLANGE	RETTANGOLARE/SQUARE FLANGE=140X25mm
KILOWATT KW	KW=4,5
WATT	WATT=4500
THREE PHASE	TRIFASE/THREEPHASE
NUMBER OF POLES	POLI/POLES=6
NUMBER OF HOLES	FORI/HOLES=2
DRY HEATING ELEMENT	SECCO/DRY
EXTERNAL DIAMETER mm	Ø=240mm
INTERNAL DIAMETER mm	Ø=220mm