

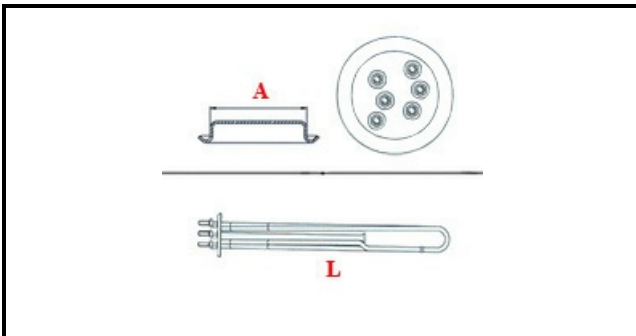
1201002

# HEATING ELEMENT

Date: 25-11-2024

ORIGINAL  
**OSP**  
SPARE PARTS

## Technical data



DEPTH MM	L=425mm
ELEMENTS	ELEMENTI/ELEMENTS=3
ROUND FLANGE	TONDA/ROUND FLANGE=63mm
INTERAX mm	INTERASSE/INTERAX=82mm
DIAMETER mm	A=63mm
KILOWATT KW	KW=6
WATT	W=6000
THREE PHASE	TRIFASE/THREEPHASE
NUMBER OF POLES	POLI/POLES=6
NUMBER OF HOLES	FORI/HOLES=6
GASKET	2101783
IMMERSION HEATING ELEMENTS	IMMERSIONE/IMMERSION
EXTERNAL DIAMETER mm	Ø=98mm

## Manufacturer code

FAGOR INDUSTRIALE S.R.L.

FAGOR INDUSTRIALE S.R.L.