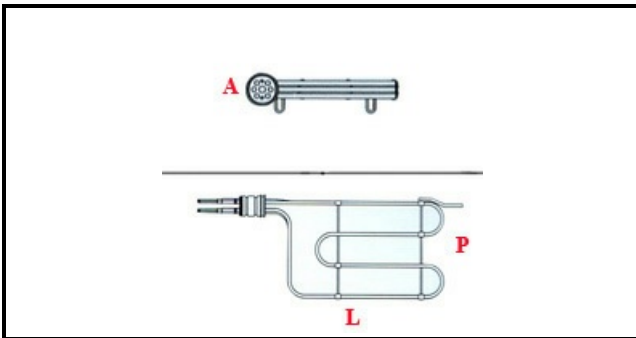


1201013

HEATING ELEMENT CP90 13500W 3-230V (E)

Date: 22-11-2024

ORIGINAL
OSP
SPARE PARTS**Technical data**

DEPTH MM	L=462mm
WIDTH MM	P=188mm
ELEMENTS	ELEMENTI/ELEMENTS=3
ROUND FLANGE	TONDA/ROUND FLANGE=54mm
DIAMETER mm	A=54mm
KILOWATT KW	KW=13,5
WATT	W=13500
THREE PHASE	TRIFASE/THREEPHASE
NUMBER OF POLES	POLI/POLES=6
IMMERSION HEATING ELEMENTS	IMMERSIONE/IMMERSION

Manufacturer code

LOTUS SPA
LOTUS SPA