

1201033

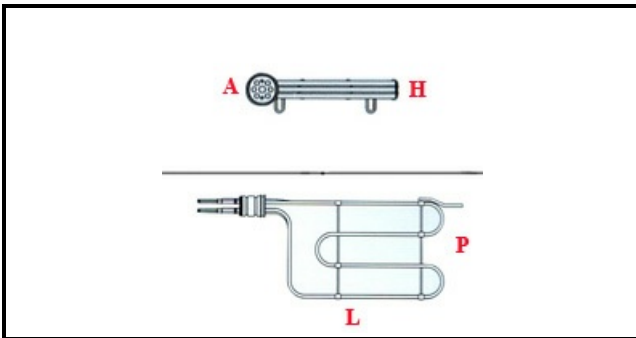
ROTATING HEATING ELEMENT CP76 13500W 3-230V (E)

Date: 23-02-2025



ORIGINAL
OSP
SPARE PARTS

Technical data



DEPTH MM	L=375mm
WIDTH MM	P=220mm
HEIGHT MM	H=85mm
ELEMENTS	ELEMENTI/ELEMENTS=3
ROUND FLANGE	TONDA/ROUND FLANGE=65mm
DIAMETER mm	A=65mm
KILOWATT KW	KW=13,5
WATT	WATT=13500
THREE PHASE	TRIFASE/THREEPHASE
NUMBER OF POLES	POLI/POLES=6
IMMERSION HEATING ELEMENTS	IMMERSIONE/IMMERSION

Manufacturer code

LOTUS SPA
LOTUS SPA