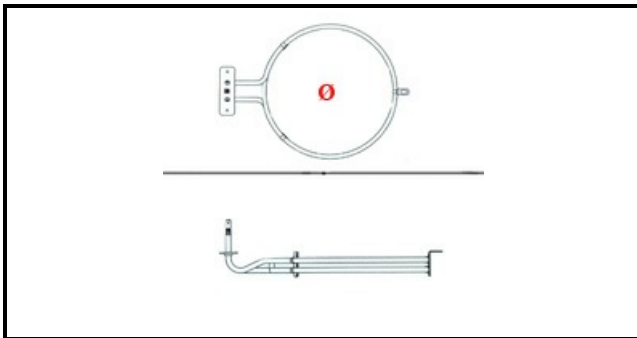


1201038

**HEATING ELEMENT 2500W 230V**

Date: 23-02-2025

ORIGINAL  
**OSP**  
SPARE PARTS**Technical data**

HEIGHT MM	H=75mm
ELEMENTS	ELEMENTI/ELEMENTS=1
SQUARE FLANGE	RETTANGOLARE/SQUARE FLANGE=70X22mm
DIAMETER mm	Ø=190mm
KILOWATT KW	KW=2,5
WATT	WATT=2500
MONOPHASE	MONOFASE/MONOPHASE
NUMBER OF POLES	POLI/POLES=2
NUMBER OF HOLES	FORI/HOLES=2
DRY HEATING ELEMENT	SECCO/DRY
EXTERNAL DIAMETER mm	Ø=190mm
INTERNAL DIAMETER mm	Ø=180mm