

1201042

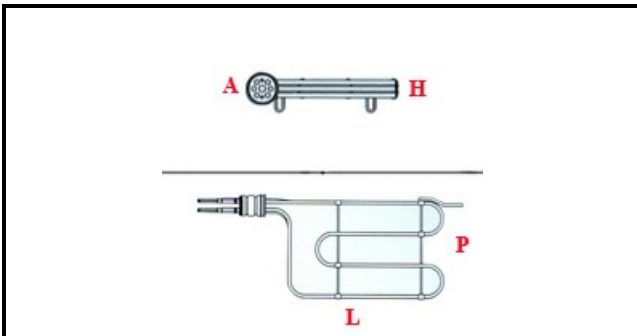
HEATING ELEMENT F18 15900W 3-230V (T)

Date: 06-04-2025



ORIGINAL
OSP
SPARE PARTS

Technical data



| | |
|----------------------------|----------------------|
| ELEMENTS | ELEMENTI/ELEMENTS=3 |
| KILOWATT KW | KW=15,9 |
| WATT | WATT=15900 |
| THREE PHASE | TRIFASE/THREEPHASE |
| NUMBER OF POLES | POLI/POLES=6 |
| IMMERSION HEATING ELEMENTS | IMMERSIONE/IMMERSION |

Manufacturer code

LOTUS SPA