

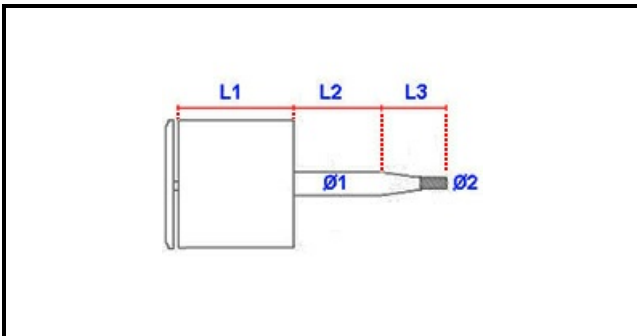
1103396

FAN MOTOR FEC060 1075.3162

Date: 06-04-2025



Technical data



MOTOR LENGHT mm	L1=120mm
SHAFT LENGHT 1 mm	L2=77mm
SHAFT LENGHT 2 mm	L3=46mm
SHAFT DIAMETER mm	Ø1=15mm
KILOWATT KW	KW=0,37/0,07
THREADED SHAFT	FILETTATO/THREADED
MONOPHASE	230V
SHAFT DIAMETER 2 mm	Ø2=10mm

Manufacturer code

NIDEC FIR INTERNATIONAL SRL
NIDEC FIR INTERNATIONAL SRL
MBM- EUROTEC SRL -
MBM- EUROTEC SRL -
MBM- EUROTEC SRL -