

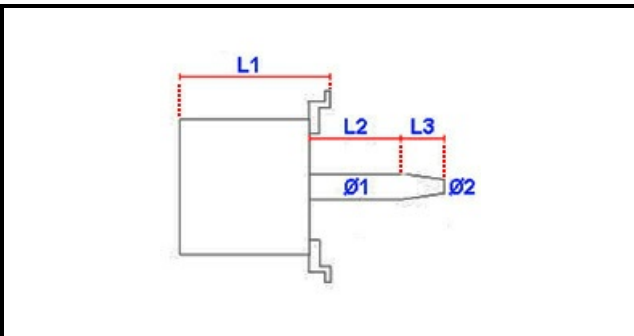
1103755

MOTOR OVEN THYRODE 304 267

Date: 22-12-2024



Technical data



MOTOR LENGHT mm	L1=145mm
SHAFT LENGHT 1 mm	L2=37mm
SHAFT LENGHT 2 mm	L3=27mm
SHAFT DIAMETER mm	Ø1=17mm
KILOWATT KW	KW=0,12
MONOPHASE	230V
CAPACITOR	16 mF
SHAFT DIAMETER 2 mm	Ø2=14mm

Manufacturer code

NIDEC FIR INTERNATIONAL SRL